

SCUPPER PLAN VIEW



DETAIL NO.

205.5

SHEET 1 of 3

STANDARD DETAIL

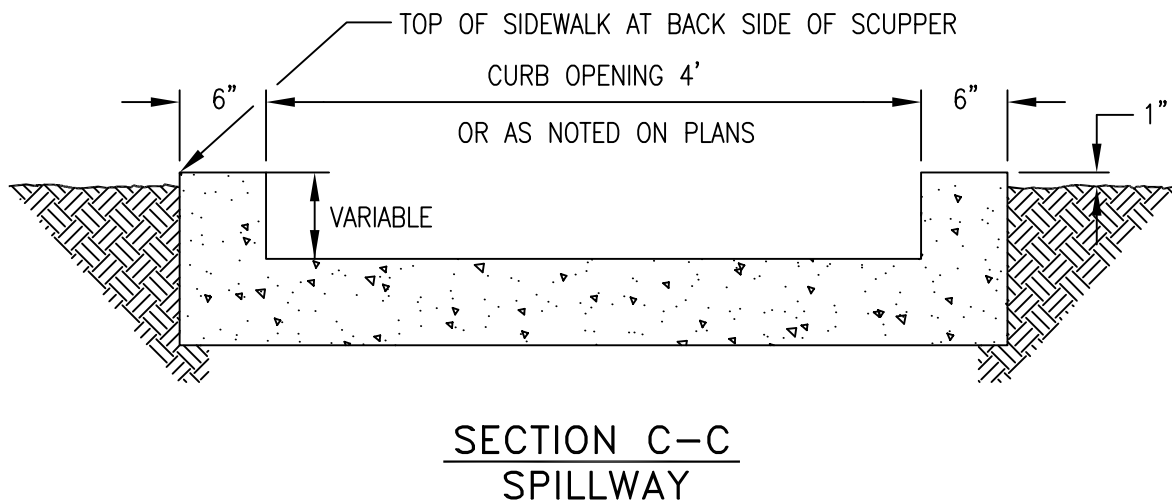
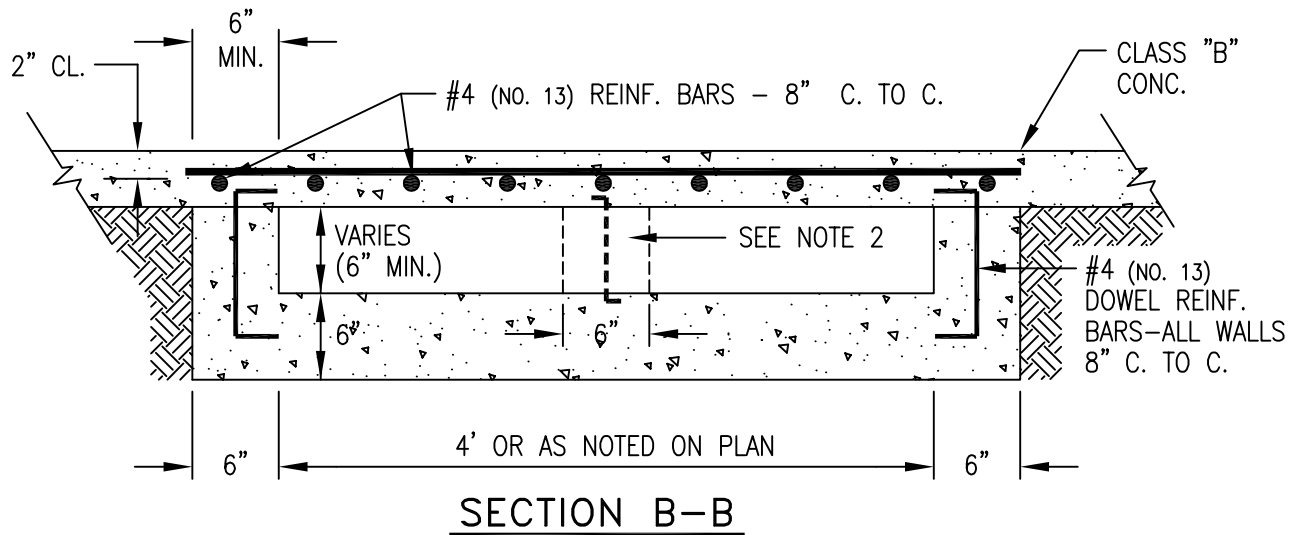
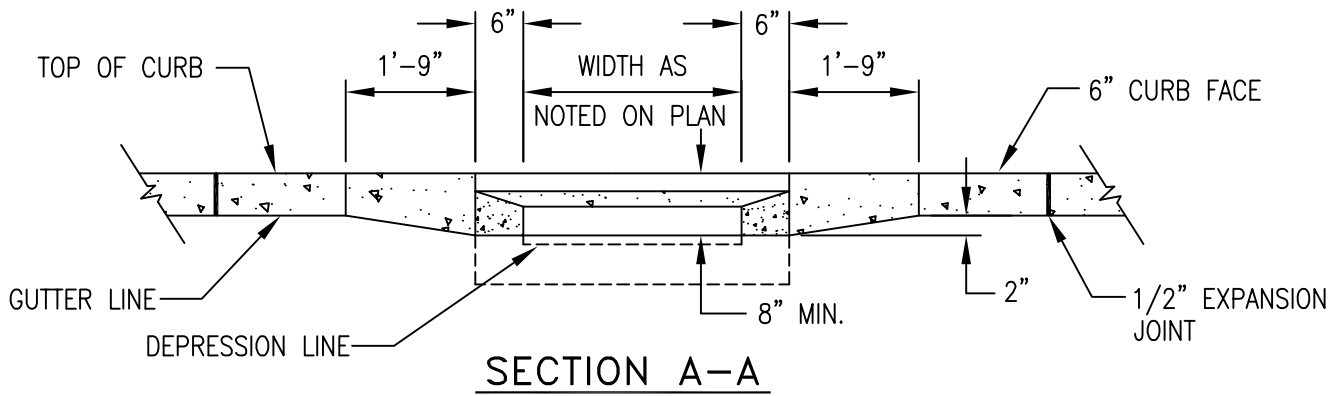
SIDEWALK SCUPPER
(TYPE 3)

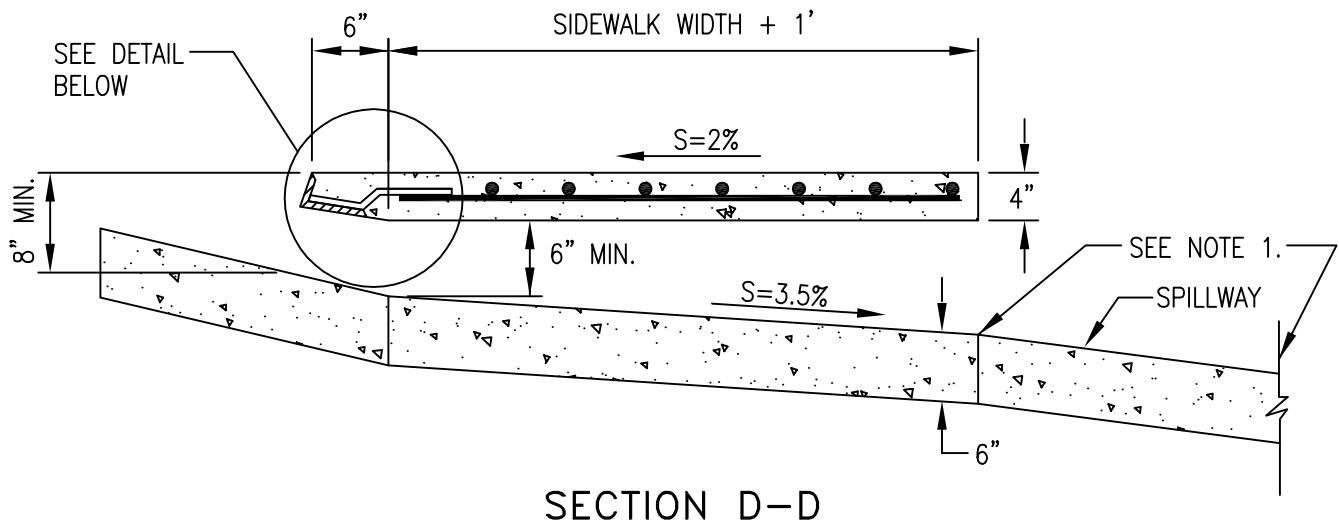
ISSUED:

9/00

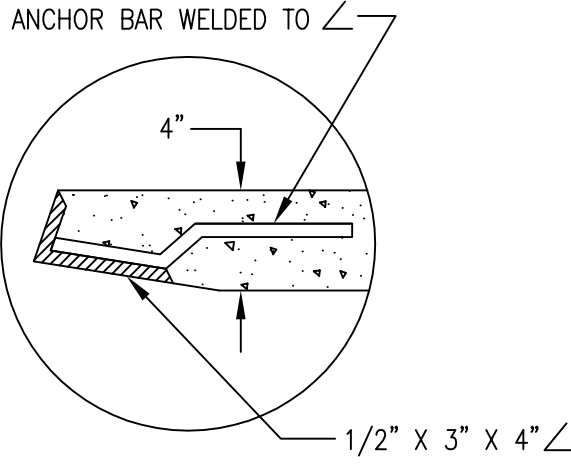
REVISED:

7/02





SECTION D-D



DETAIL

NOTES:

1. TRANSITION TO SPILLWAY/ CHANNEL AS PER APPROVED PLANS. SCUPPER GRADE MAY BE MODIFIED TO ALLOW FOR RUNOFF TO FLOW FROM RIGHT-OF-WAY INTO ROADWAY.
2. A CENTER WALL SHALL BE INSTALLED IN SCUPPERS WIDER THAN 4' OR IF MORE THAN ONE SCUPPER IS BUILT IN SERIES.
3. EXPANSION JOINT FILLER SHALL BE 1/2" BITUMINOUS TYPE PREFORMED EXPANSION JOINT FILLER PER STD. SPEC. SECTION 1011.
4. CONCRETE SHALL BE CLASS 'S', f'c=3,000 psi.

	DETAIL NO.	STANDARD DETAIL	ISSUED:
	205.5	SIDEWALK SCUPPER (TYPE 3)	9/00
	SHEET 3 of 3		REVISED: 7/02